

PRODUCT DATASHEET

Recesse Mounted Panel Light HYD-227S-15W 6500K



Application

- Household living room
- Mall
- Commercial place
- Corridors
- Hotel

Benefit

- Internal reflector to increase optical efficiency
- Flicker free
- Low lumen depreciation
- Detachable driver design or DOB design could be option

Feature

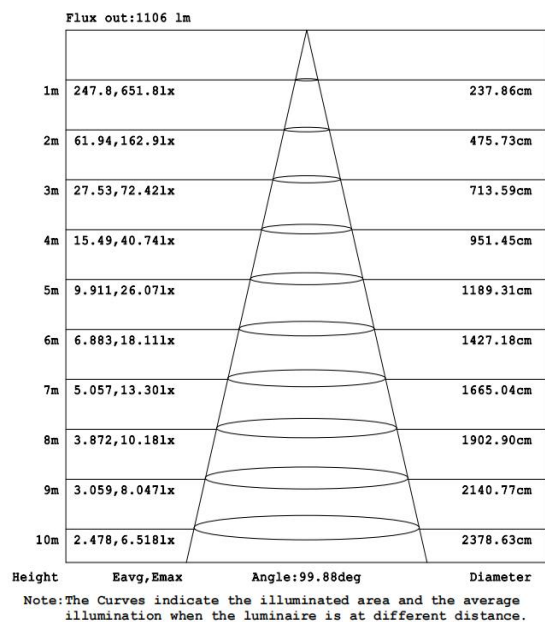
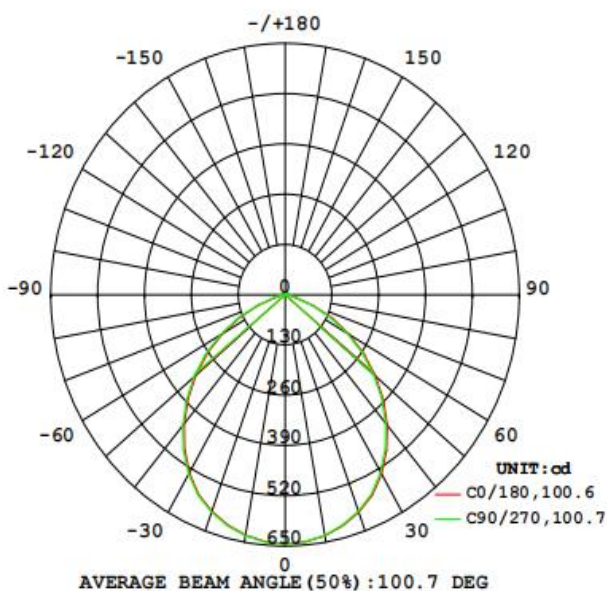
- Warranty 5 years
- Yellowing-resistant diffuser (PC)
- Buckle design, easy and quick installation
- Die-cast aluminum body for better heat dissipation, anti-corrosion, and easy maintain

Electrical Data

Nominal wattage (W)	15W
Nominal Voltage (V)	220-240V
Mains Frequency (Hz)	50-60Hz
Nominal Current (mA)	112
LED Driver Current (mA)	350
LED Driver Voltage (V)	27-40
LED Driver Efficiency (%)	83%
Power factor λ	0.6C
Total harmonic distortion (%)	...
Operating mode	External LED driver

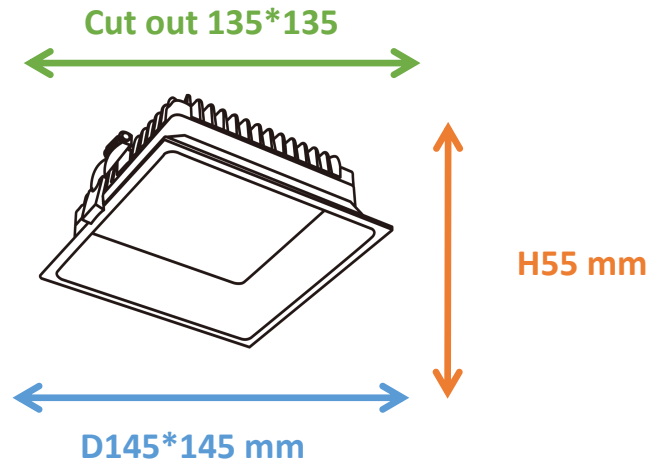
Photometrical data

Luminous flux $\pm 10\%$ (lm)	1556 lm
Luminous efficacy	114 lm/W
Color temperature	6500K
Light color (designation)	Cold White
Color rendering index Ra	≥ 80
Standard deviation of color matching	≤ 5 SDCM
Luminous intensity	644 cd
Flickering	Flicker free
Beam angle	101°



Dimensions & Weight

Diameter (mm)	145*145
Height (mm)	55
Product weight (g)	...



Material & Colors

Product color	Black housing / White Light Cup
Housing color	White
Body material	Aluminum
LGP material	PC
Mercury content	0.0 mg

Application & Mounting

Ambient temperature range	-20°C~+45 °C
Temperature range at storage	-25°C~+60 °C
Type of connection	Screwless terminal
Type of protection	IP20
Dimmable	No
Mounting type	Recessed mounted
Mounting location	Ceiling
Application environment	Indoor
Cut size (mm)	135*135
LED module replaceable	Not replaceable
With light source	Yes

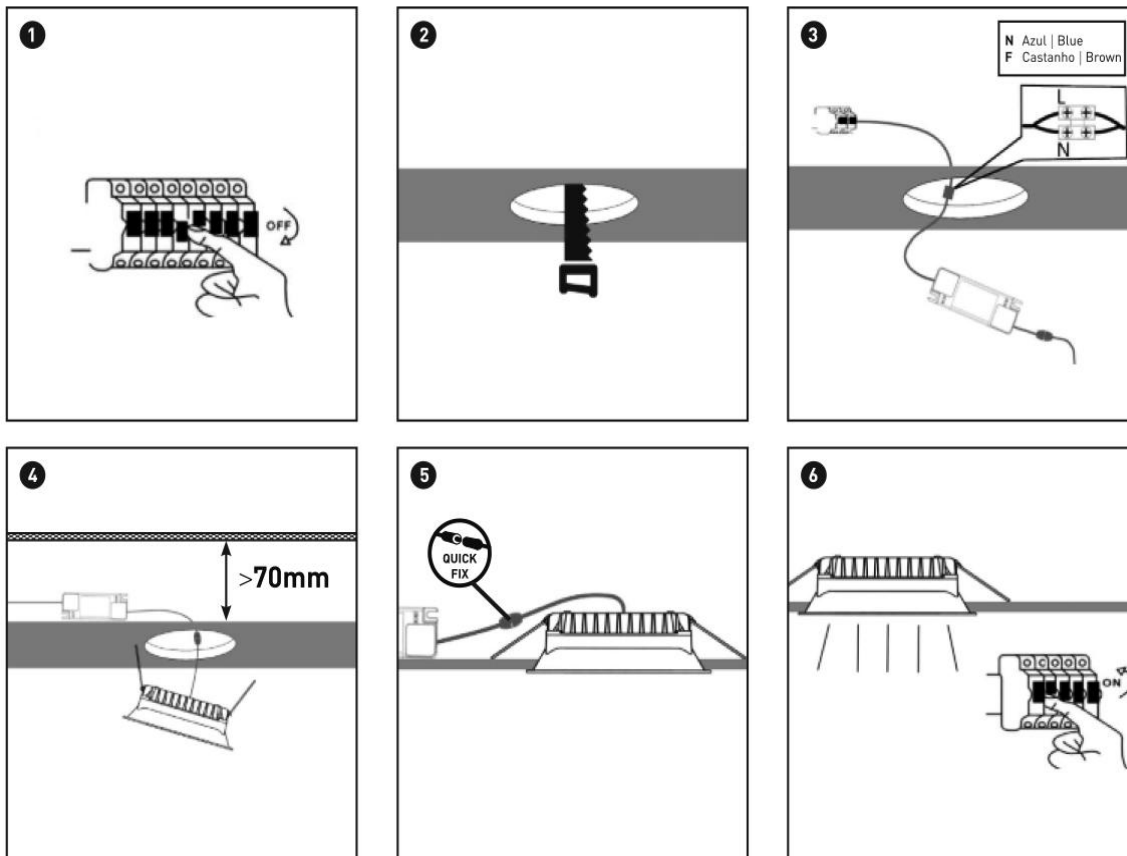
Certificates & Lifespan

Life (h)	50,000
Certificates	CB / CE / LVD / RoHS
Standards	ISO9001:2015

Logistical Data

Product code	Dimensions (L*W*H)	Pcs/ carton	G.W. kg	Volume CBM
HYD-227S-15W	54.5*34*37.5 cm	30	...	0.06949 m ³

Installation Method



Disclaimer

Subject to change without notice. Errors and omission excepted.
Always make sure to use the most recent release.